

KEL-EMC-PF cable assembly bracket

for mounting individual shield clamps



RoHS
compliant



The EMC bracket combined with the [matching PFS EMC shield clamp](#) is perfect in conjunction with the [KEL cable entry frame](#) for alleviating interferences due to shields.

The EMC clamp is assembled inside the control panel. For this process the fixing screws for the assembly of the KEL frame on the panel are used. A female screw thread M5 is already integrated in the KEL-EMC-PF bracket.

The KDR-EMC-PFM type can be mounted on icotek enclosure base plates with [slide frames KDR-ESR-VX25](#).

Depending on the cable diameter, the corresponding PFS shield clamp can be snapped onto the EMC bracket.

Specifications

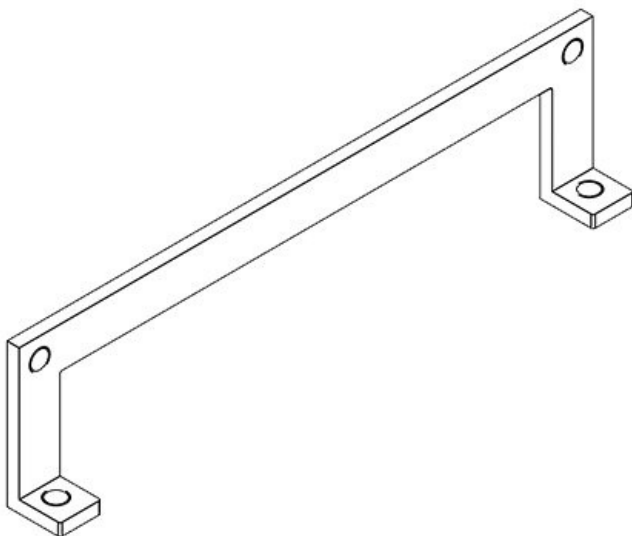
Material	Mild steel, galvanically zinc plated
Mounting options	Screw type mounting

Advantages & benefits

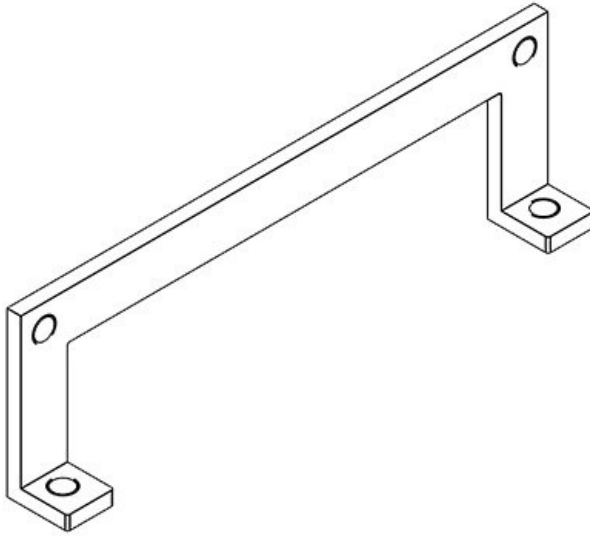
- Large surface contact between cable shield and housing, especially on conductive coated surfaces
- Easily combines cable routing, EMC and strain relief due to the use of the same mounting holes
- M5 Mounting hole for earthing tape or PE connection
- Direct, easy and quick contact to the enclosure
- Designed for high density applications
- Replacement for EMC cable glands, even for pre-terminated cables

Product types & sizes

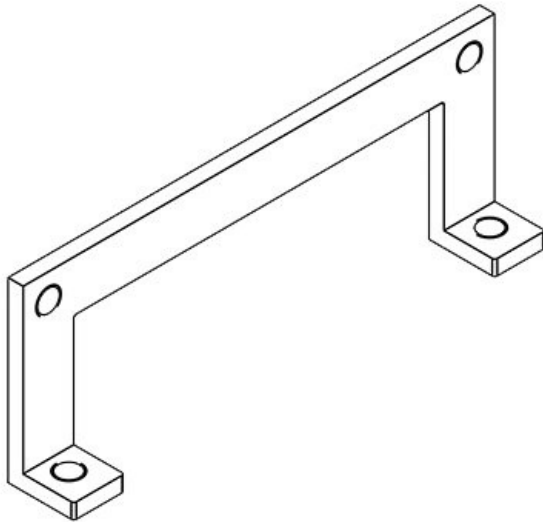
KEL-EMC-PF 24



Part No.	39180	Mounting height	13 mm
EAN	4251269305993	Suitable for cable entry systems:	KEL-ER 24, KEL-ER-E5, KEL 24, KEL-E5, KEL-U 24, KEL-FG-E5, KEL-QUICK 24, KEL-QUICK-E5, KEL-BES 24, KEL-BES-S 24, KEL-DPZ 24, KEL-DPZ-E, KEL-DPU 24
Package quantity	1		
Length L1	140 mm		
Length L2	130 mm		
Width	35 mm		
Height	13 mm		

KEL-EMC-PF 16

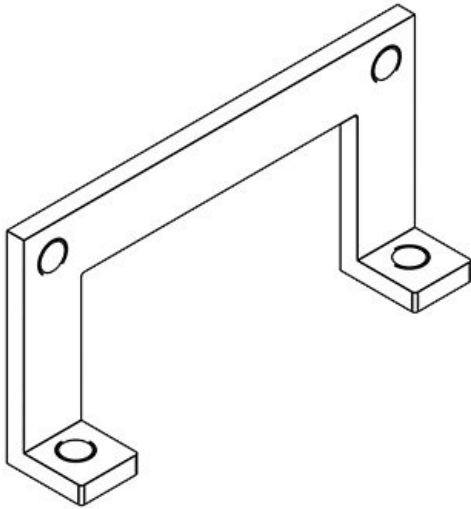
Part No.	39170	Mounting	13 mm
EAN	4251269305	height	
Package	986	Suitable for	KEL-ER 16,
quantity	1	cable entry	KEL-ER-E4,
Length L1	113 mm	systems:	KEL 16, KEL-
Length L2	103 mm		E4, KEL-U
Width	35 mm		16, KEL-
Height	13 mm		QUICK 16,
			KEL-QUICK-
			E4, KEL-BES
			16, KEL-BES-
			S 16, KEL-
			DPZ 16

KEL-EMC-PF 10

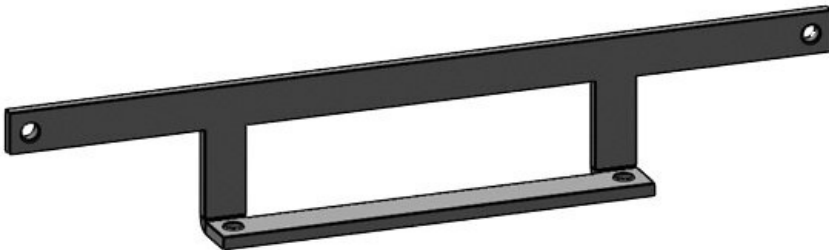
Part No.	39160	Mounting	13 mm
EAN	4251269305	height	
Package	979	Suitable for	KEL-ER 10,
quantity	1	cable entry	KEL-ER-E3,
Length L1	93 mm	systems:	KEL 10, KEL-
Length L2	83 mm		E3, KEL-U
Width	35 mm		10, KEL-FG-
Height	13 mm		E3, KEL-
			QUICK 10,
			KEL-QUICK-
			E3, KEL-BES
			10, KEL-BES-
			S 10

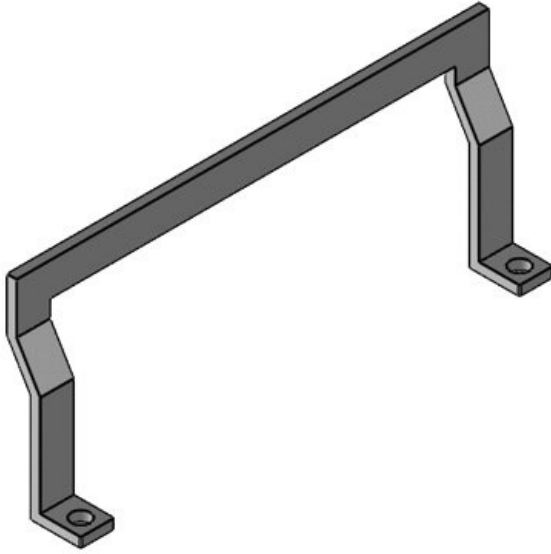
KEL-EMC-PF-B

Part No.	39150	Mounting height	13 mm
EAN	4251269305	Suitable for cable entry systems:	KEL-ER-B, KEL-ER-E2, KEL-B, KEL-U-B, KEL-FG-E2, KEL-QUICK-B, KEL-QUICK-E2, KEL-DPZ-B
Package quantity	1		
Length L1	68 mm		
Length L2	58 mm		
Width	35 mm		
Height	13 mm		

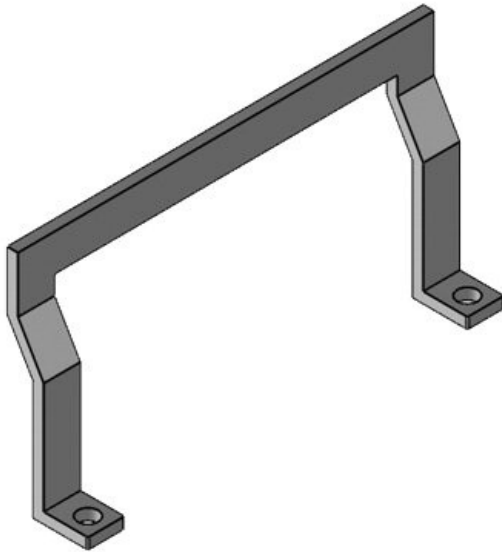
**KEL-EMC-PF 183**

Part No.	39190	Mounting height	13 mm
EAN	4251269318	Suitable for cable entry systems:	KEL 183, KEL 183-E
Package quantity	1		
Length L1	200 mm		
Length L2	95 mm		
Width	35 mm		
Height	13 mm		





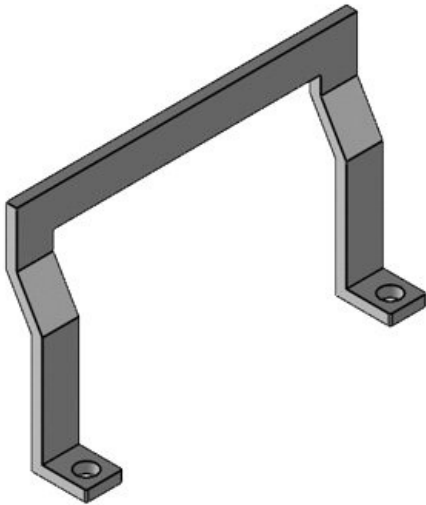
Part No.	39181	Mounting	22 mm
EAN	4251269318	height	
Package	368	Suitable for	KEL-ER 24,
quantity	1	cable entry	KEL 24, KEL-
Length L1	140 mm	systems:	U 24, KEL-
Length L2	130 mm		QUICK 24,
Width	60 mm		KEL-BES 24,
Height	22 mm		KEL-BES-S
			24, KEL-DPZ
			24, KEL-DPU
			24



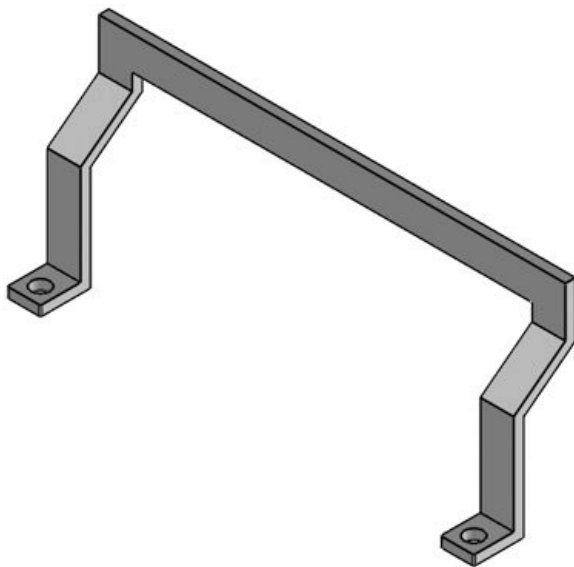
Part No.	39183	Mounting	22 mm
EAN	4251269318	height	
Package	344	Suitable for	KEL-ER 16,
quantity	1	cable entry	KEL 16, KEL-
Length L1	113 mm	systems:	U 16, KEL-
Length L2	103 mm		QUICK 16,
Width	60 mm		KEL-BES 16,
Height	22 mm		KEL-BES-S
			16, KEL-DPZ
			16

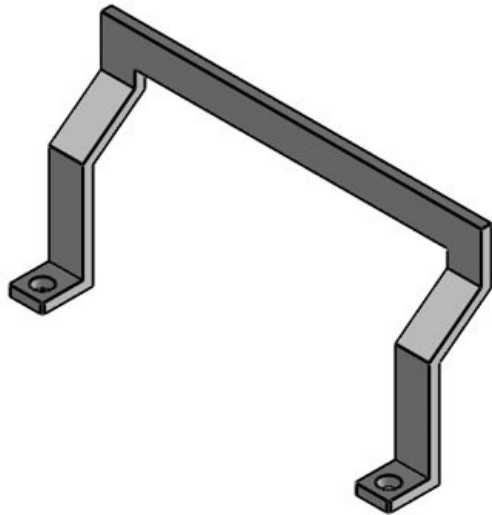
KEL-EMC-PFM 10

Part No.	39184	Mounting height	22 mm
EAN	4251269318	Suitable for cable entry systems:	KEL-ER 10, KEL 10, KEL-U 10, KEL-QUICK 10, KEL-BES 10, KEL-BES-S 10
Package quantity	1		
Length L1	93 mm		
Length L2	83 mm		
Width	60 mm		
Height	22 mm		

**KDR-EMC-PFM 24**

Part No.	39191	Mounting height	30,5 mm
EAN	4251269321	No. of screw holes	2
Package quantity	1	Diam. of screw holes	5,5 mm
Length	140 mm	Suitable for cable entry systems:	KDR-ESR-VX25
Length L2	130 mm		
Width	60 mm		
Height	30,5 mm		





Part No.	39192	Mounting height	30,5 mm
EAN	4251269321	No. of screw holes	2
Package quantity	1	Diam. of screw holes	5,5 mm
Length	113 mm	Suitable for cable entry systems:	KDR-ESR-VX25
Length L2	103 mm		
Width	60 mm		
Height	30,5 mm		